

Masport®

EUROPEAN ROTARY MOWERS

SERIES 21 - OPC

	<u>Part number</u>	<u>Model</u>	<u>Engine</u>
MASPORT	579992	800 AL SPV	B & S Series 675

Month and Year of First Manufacture - March 2009
SERIAL NUMBER FROM - 7196734

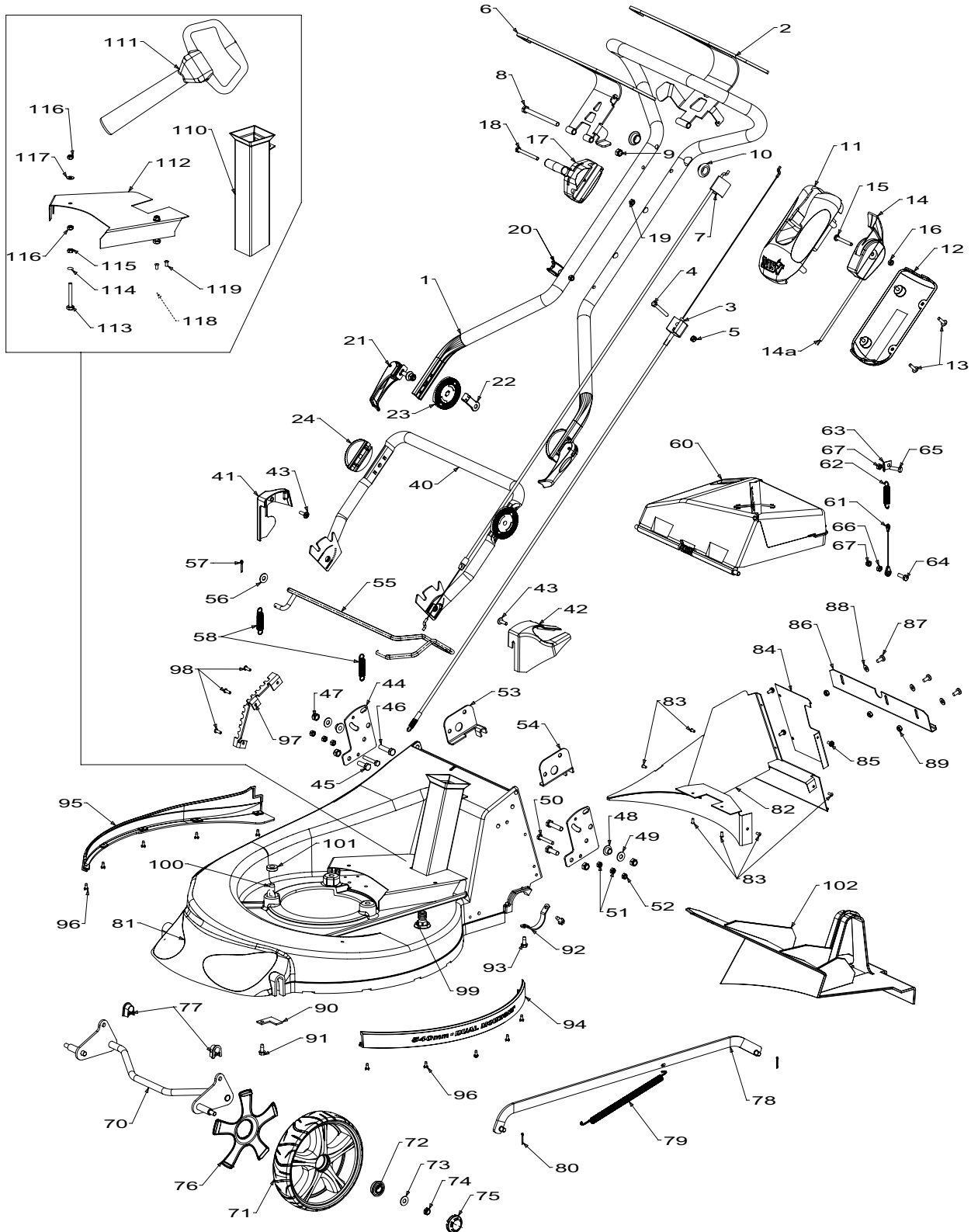




Powered by:
800AL SPV: B & S Series 675

Masport

Issue B
July 2011 BH
REF # 77992S



When ordering PLEASE QUOTE PART NUMBER & Description, NOT Illustration No.
Determine right or left hand side from standing in operating position (standing at handle)



Powered by:
800AL SPV: B & S Series 675

Masport

Issue B
July 2011 BH
REF # 779992S

Item No	Part No	Description	Qty	Item No	Part No	Description	Qty
1	779071	Handle & Sleeve Assy, Adj OPC	1	55	573739	Rod Assy- Adjuster	1
2	979279	Bail Arm Assy, SP MSV	1	56	501606	Washer, Flat 8x19x1.6	1
3	583570	Cable- Clutch, Thumb Wheel	1	57	501055	Pin- Cotter	1
4	580160	Screw, Set M6x50 Hex	1	58	580268	Spring- Pedal	2
5	501764	Nut, M6 Nylocx 6 Thck	1			__==__	
6	979278	Bail Arm Assy, OPC MSV	1	60	767060	Flap Assy, Smart Chute	1
7	579782	Cable- Engine, OPC Push On 540	1	61	569731	Cable Smart Chute	1
8	503883	Bolt, Hex M8x100	1	62	580268	Spring Pedal	1
9	501793	Nut, M8 Hex Nyloc 8 Thck	1	63	569732	Bracket Smart Chute	1
10	503882	Grommet, Blanking 3/4"(19mm)	2	64	501600	Screw Set M6x20	1
11	583351	Mount- Throttle, Top	1	65	501959	Screw, Set M6x12	1
12	583340	Cover- Throttle, Bottom	1	66	501682	Nut, M6	1
13	503650	Screw, S/T #12x11/16" UNC	4	67	501764	Nut, M6 Nylocx Thx	2
14	583458	Control- Throttle Assy, Wescon	1			__==__	
15	503604	Screw, Pan M6x45 Poz ZP	1	70	983305	Axle Assy, Front 200mm Thrd	1
16	501764	Nut, M6 Nylocx 6 Thck	1	71	579203	Wheel Assy- 200mm BB Mag	2
17	773388	Control- Speed x 8 SPV MSV	1			incl item 72	
18	503684	Screw, Set M6 x 60 Hex	1	72	551212	*Bearing- Wheel, Ball Type	4
19	501764	Nut, M6 Nylocx 6 Thck	1	73	501606	Washer, Flat 8x19x1.6	2
20	782546	Comfort Start Kit 45mm	1	74	503831	Nut, M8 Hex Nyloc 6 Thck	2
21	972377	Cam Lock Assy	2	75	579204	Hub Cap, Button Mag Slvr	2
22	581527	Retainer- Clutch Cable	1	76	579205	Cover- Inner, Wheel	2
23	581660	Disc- Locking, Outer	2	77	580030	Bush- Pivot, Axle	2
24	581659	Disc- Locking, Inner	2	78	573814	Rod Assy, Connecting 540	1
		__==__		79	573844	Spring, Counter Balance SP	1
40	979064	Handle- Lower, "U" Adj Lift	1	80	501056	Pin, Cotter 2.3Dx16	2
41	582421	Cover- Handle, RH MSV	1			__==__	
42	582420	Cover- Handle, LH MSV	1				
43	503650	Screw, S/T #12x11/16" UNC	2				
44	573816	Plate- Mount, Handle	2				
45	501598	Screw, Set M8x25 Hex	2				
46	501716	Screw, Set M8x35 Hex	2				
47	501793	Nut, M8 Hex Nyloc 8 Thck	4				
48	583334	Spacer- Handle, Lower	2				
49	501606	Washer, Flat 8x19x1.6	2				
50	501962	Screw, Set M6x30 Hex	2				
51	501682	Nut, M6 Hex	4				
52	501764	Nut, M6 Nylocx 6 Thck	2				
53	573438	Bracket- RH, 19/21" AL Aero	1				
54	573437	Bracket- LH, 19/21" AL Aero	1				

Bold Text = Assemblies
Bulleted Text = Items included in Assemblies

When ordering PLEASE QUOTE PART NUMBER & Description, NOT Illustration No.
Determine right or left hand side from standing in operating position (standing at handle)



Powered by:
800AL SPV: B & S Series 675

Masport

Issue B
July 2011 BH
REF # 779992S

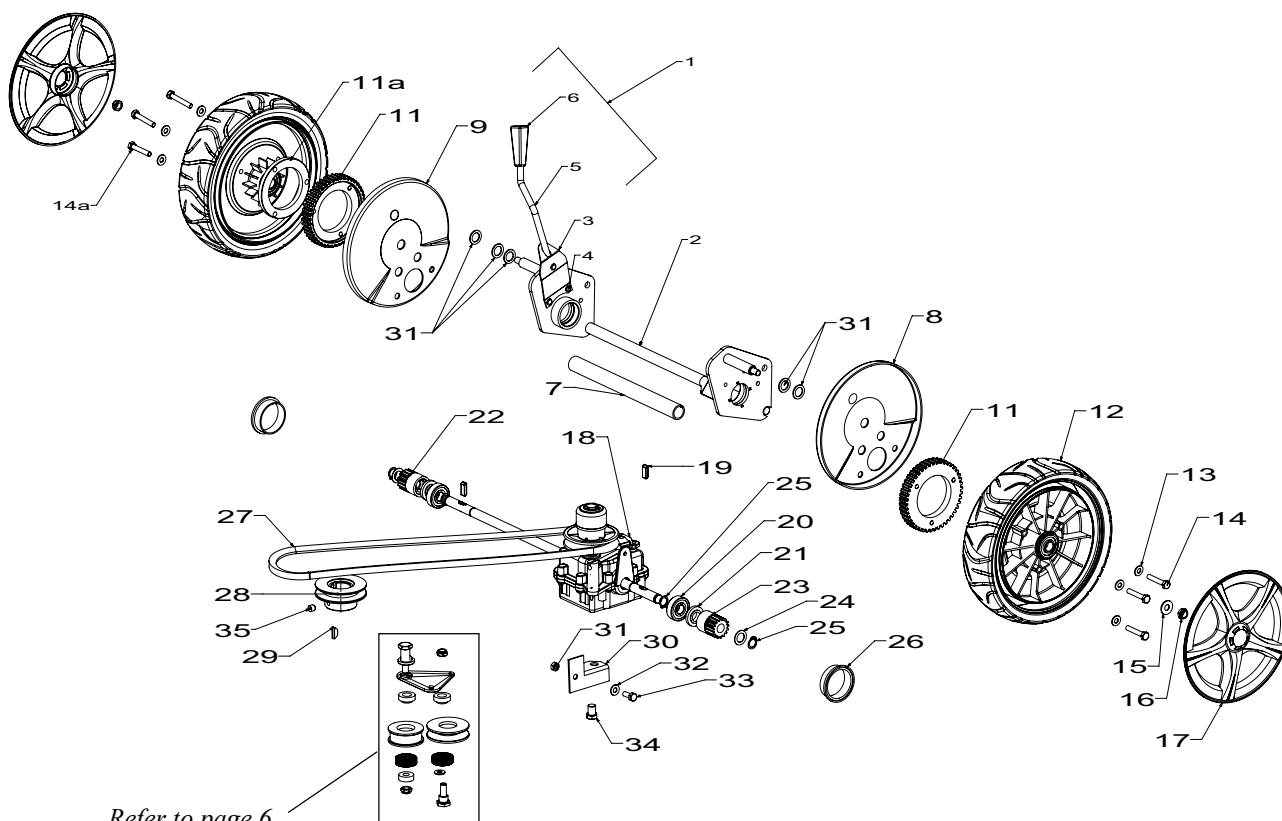
81	773567	Housing Assy- AliT 21" FS CH	1
		SP Ttnm, incl items 82, 83	
82	971057	*Tunnel Assy, 21" SP CH	1
83	503201	*Rivet- Pop 4x7.9	6
84	573564	Tunnel- GBox Cover 21" Ali	1
85	503630	Screw, S/T 10x.4 TYP B	3
86	571048	Hook19/21", Aero Catcher	1
87	503591	Screw, Pan M6x12	3
88	501703	Washer, Flt 6x14x1.2	3
89	501764	Nut, M6 Hex Nyloc	3
90	983315	Plate- Retainer, Front Axle 19"	2
91	501599	Screw, S/T 1/4x5/8 Hex	2
92	980586	Retainer, Axle Rear	2
93	501599	Screw, S/T 1/4x5/8 Hex	4
94	579742	Skirt- Side, LH 540	1
95	579741	Skirt- Side, RH 540	1
96	503834	Screw, S/T M4x10 Wshr Hex	10
97	573582	Quadrant, Height Selector 21"	1
98	503200	Rivet- Pop 4.8x13	3
99	503783	Cyclowash- Fitting	1
100	580453	Screw, S/T 3/8x1-1/8 UNC TRIBLK	3
101	583542	Spacer, Flat 10.5 x 22 x 6	3
102	573059	Insert- Mulching, 21" Ali	1
		__==__	
110	773573	Tube- Feed Intake, 250 mm	1
111	582374	Plunger- Intake Tube, Plastic	1
112	973572	Cover- Belt, 540 Chip Ttnm	1
113	580160	Screw, Set M6x50	2
114	500201	Washer, Spring 6	2
115	501682	Nut, M6 Hex	2
116	501764	Nut, M6 Hex Nyloc 6 Thck	4
117	501703	Washer, Flat 6x14x1.2	2
118	573387	Bracket- Cable, SPV 19/21"	1
119	503660	Rivet, Pop 4.8 x 9	2
		__==__	
		NOT ILLUSTRATED	
	569324	Owners Manual	1
	569144	Nameplate- Masport, Gel	1
	580778	Stop- Rope	1
	503054	Tie- Nylon, Cable	7



Powered by:
800AL SPV: B & S Series 675

Masport

Issue B
July 2011 BH
REF # 77992S



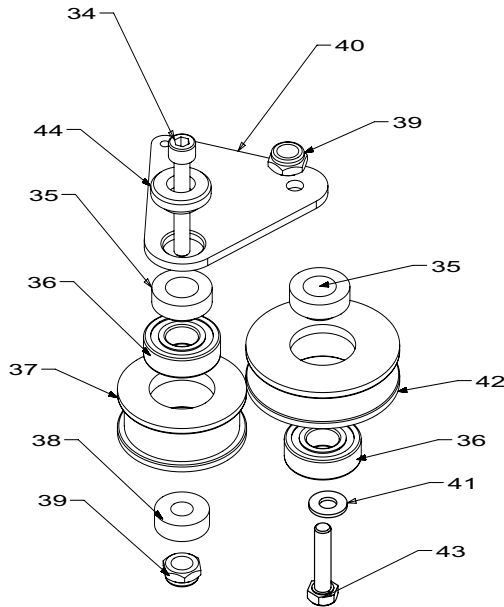
Refer to page 6.

Item No	Part No	Description	Qty	Item No	Part No	Description	Qty
1	779744	Axle Assy-Rear, Complete 21" SP 1		23	569178	Pinion, LH 12 Teeth	1
		incl items 2 - 6		24	503102	Washer, Flat 12x20x0.4	2
2	573868	Axle Assy- Rear, 21" SP	1	25	503759	Circlip, 12 EXT DIN 471	4
3	573849	Spring, Leaf	1	26	580091	Bush- Pivot, Rear Axle	2
4	503373	Rivet-F/HD 3/16x27/64	3	27	573779	Belt- V 3L-978-1385 Gates	1
5	980773	Rod, Height Selector	1	28	573554	Pulley- Eng, 25Bx26.5H SP/CH	1
6	581729	Knob, Height Lever	1	29	503363	Key, Woodruff 5/8x3/16x1/4	1
7	583563	Sleeve, Rear Axle MSV SP	1	30	573394	Mount, Gearbox 21" SPV	1
8	579427	Dust Cover LH	1	31	503973	Nut, M6 Nyloc Flange	1
9	579426	Dust Cover RH	1	32	501703	Washer, Flat 6x14x1.2	1
10	503301	Washer, Flt 1/2x3/4x18G (3 x LH , 3 x RH)	6	33	501702	Stud Idler Pulley, M8x40.0	1
11	569180	Gear, Driving- 45 Teeth	2	34	503955	Screw, Set M6x16	1
11a	569479	Spacer Gear Driving	1	35	503386	Screw, Grub M8x8	1
12	579070	Wheel Assy- 220mm BB MSV SP2	2				
13	501703	Washer, Flat 6x14x1.2	6				
14	501815	Screw, Set M6x35	3				
14a	503794	Screw, Set M6x40HT 4.6 Hex ZP	3				
15	501606	Washer, Flat 8x19x1.6	2				
16	503831	Nut, M8 Nyloc 6 Thck	2				
17	579207	Hub Cap, 220mm MSV SP	2				
18	573092	Gear Box, Variable Speed 540	1				
18a	567524	Pulley ass'y for GearBox	1				
19	581092	Pawl, Pinion 950 SP	2				
20	501213	Bearing, 12x32x10 6201 2RS	2				
21	581093	Cap, Pinion 950 SP Plastic	2				
22	569179	Pinion, RH 12 Teeth	1				

When ordering PLEASE QUOTE PART NUMBER & Description, NOT Illustration No.
Determine right or left hand side from standing in operating position (standing at handle)

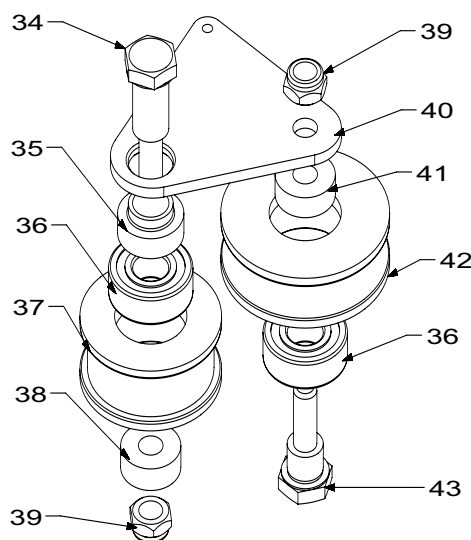


OLD SPV Idler Assembly



Item No	Part No	Description	Qty
34	503961	Screw, Allen Cap M6x45	1
35	573381	Spacer, SPV Drive	2
36	503901	Bearing, 12x28x8 6001 2RSH	2
37	573382	Pulley, Flat Idler SPV	1
38	573393	Spacer, Bottom SPV Drive 21"	1
39	501764	Nut, M6 Nyloc 6 Thck	2
40	573380	Plate Carrier 19" SPV Ali	1
41	501703	Washer, Flat 6x14x1.2	1
42	573383	Pulley, Vee Idler SPV	1
43	501963	Screw, Set M6x25	1
44	573385	Spacer, Top SPV Drive	1
45	501764	Nut, M6 Nyloc 6 Thck	1

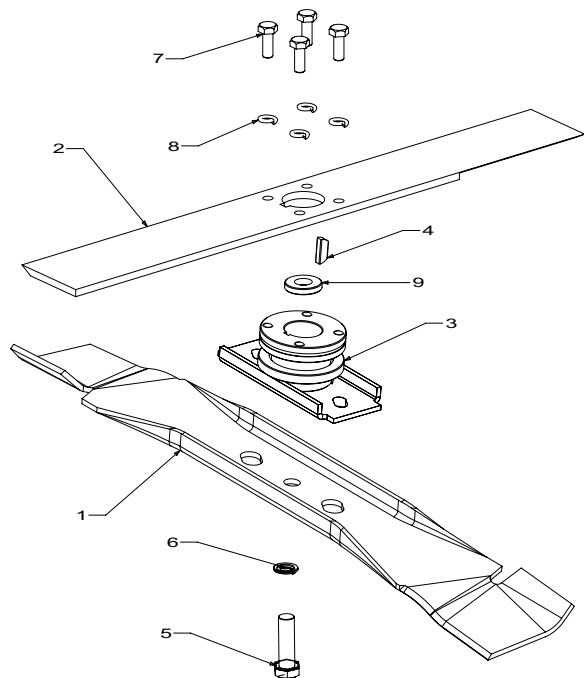
NEW SPV Idler Assembly From S/N 7416429 Feb 2011



Item No	Part No	Description	Qty
34	569340	Stud Idler Pulley M8x40.0	1
35	569351	Spacer, Bottom Spv Drive	1
36	503901	BRG,Bal 12x28x8	2
37	573382	Pulley, Flat Idler 19" SPV	1
38	569352	Spacer Bottom,SPV 20x8.2x6.5	1
39	503831	Nut M8 HEX Nyloc 6x6thkzp	2
40	569155	Plate Carrier 19/21 SPV Ali M8	1
41	569135	Spacer Plate, SPV 20 x 8.2x6.0	1
42	573383	Pulley-V,Idler 19 "SPV	1
43	569322	Stud Idler Pulley M8x29.5	1

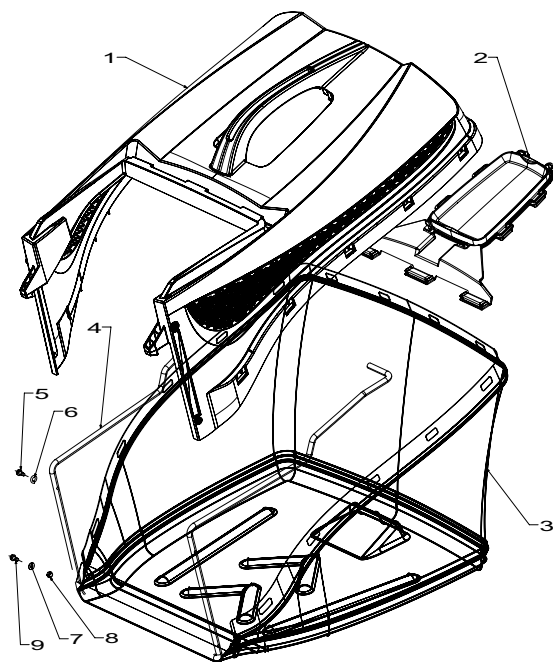


540mm Chipper & Bar Blade Assembly



Item	Part No	Description	Qty
1	573391	Blade- Bar, 540 mm HP	1
2	573552	Blade- Bar Chipper 21"	1
3	573081	Driver Assy- 25 mm Chip 8mm	1
4	503363	Key- W/ruff 5/8x3/16x1/4	1
5	581610	Screw, Set NF 3/8x1.25 NYG8	1
6	500204	Washer, Spring 3/8"	1
7	501571	Screw, Set M8x16 HT 8.8 Hex	4
8	503747	Washer, Spg 8	4
9	573585	Spacer 22 x 4	1

Catcher Assembly Aero - 773401



Item	Part No	Description	Qty
1	573373	Catcher, Top 19/21"	1
2	573370	Catcher, Top Insert	1
3	573375	Catcher, Bottom 19/21"	1
4	573376	Catcher, Frame 19/21"	1
5	503834	Screw, S/T M4x10 Hex	2
6	501024	Washer- Spg 4	2
7	503593	Washer, Flat 4 x 9 x1.0	2
8	503875	Nut, M4 Hex Nyloc	2
9	501023	Screw, Set M4x20 Hex	2